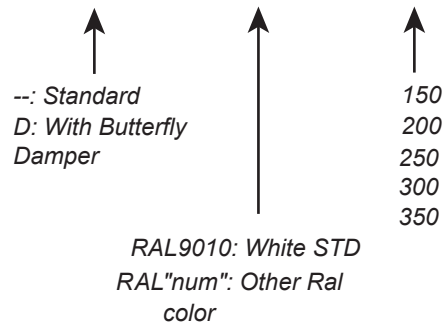


ORDERING INFORMATION

MODEL DAMPER FINISHING NECK SIZE



STANDARD SIZES

A: NECK SIZES (mm)	PRODUCT SIZES DETAILS		
	B	C	H
150	260	226	70
200	310	270	70
250	360	320	70
300	424	380	70
350	460	420	70

